

## LED RAIL LIGHTING

### PAR46 MARKER LIGHT



### ELECTRICAL STATS

NOMINAL VOLTAGE	37.5VDC	72VDC
OPERATING VOLTAGE	19-45VDC	45-90VDC
OPERATING TEMPERATURE	-4°F~122°F (-20°C~50°C)	

### LIGHT STATS

	6W	20W
LED COLOR (CCT)	RED	RED
LED OUTPUT (LUMENS)	150	400
CBCD	--	1755

### ORDERING INFORMATON

SERIES	TYPE	CONNECTION	VOLTAGE	WATTAGE	COLOR	ANGLE	LENS	SEAL**
LB	PAR46	XX	XX	XX	X	XX	XX	X

PAR46 2S = 2 Screw Terminal  
 3S = 3 Screw Terminal

37.5 = 37.5VDC  
 72 = 72VDC

25 = 25W  
 6 = 6W

R = RED  
 A = AMBER\*  
 B = BLUE\*  
 G = GREEN\*

8 = 8°  
 20 = 20°#  
 30 = 30°#

CF = CONVEX FROSTED

N = WITH NEOPRENE SEAL  
 X = WITHOUT NEOPRENE SEAL

To order neoprene seal separately

\*\*LB-PAR46-RING = PAR46, NEOPRENE SEAL.

#30 degree for 6W product only.

#20 degree for 72VDC-25W product only.

\*Special order.

### DESCRIPTION

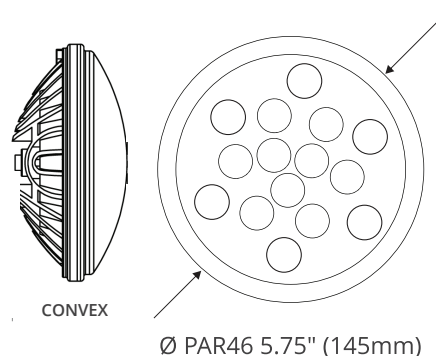
The innovative LED SMART PAR 46 solid-state LED marker light is manufactured with a single piece aluminum heat sink body and designed to operate in the harshest environments.

The high-impact tempered glass lens allows an even transfer of heat for ice and snowmelt during sub-zero temperatures. This ensures a crisp, clear, glare-free lens performance and illumination.

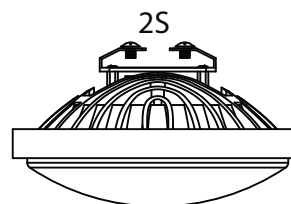
The LED SMART PAR 46 operates at 6 or 20 watts with a promised life of 50,000 hours, compared to traditional PAR 46 tungsten halogen incandescent headlamps that operates at 60 watts with a promised life of 800 hours. The LED SMART marker light delivers an 85% longer life, with up to 90% energy savings.

Our premium PAR 46 headlight bulb is energy efficient, lead-free, eco-friendly, and guaranteed with a 5-year warranty. Available in amber, blue and green upon special order.

### DIMENSIONS



### CONNECTOR TYPES



Convex model with neoprene rubber gasket seal shown