

MLF SERIES - 48V



Mini Light with Junction End Cap, shown with strain relief and lead wire
 Also, available with bare end, with knockout



OPTIONAL FEATURES

- Colors: Warm White, Neutral White, Amber, Red, Green and blue
- 12V, 24V and 28V Voltages also available*

DIMENSIONS

Nominal Length	A		B		C	
	mm	inch	mm	inch	mm	inch
24"	675.9	26.61	625.1	24.61	546.1	21.5
36"	993.4	39.11	942.6	37.11	863.6	34
48"	1310.9	51.61	1260.1	49.61	1181.1	46.5
60"	1628.4	64.11	1577.6	62.11	1498.6	59
72"	1945.9	76.61	1895.1	74.61	1816.1	71.5
84"	2263.4	89.11	2212.6	87.11	2133.6	84
96"	2580.9	101.61	2530.1	99.61	2451.1	96.5

Tolerance +/- 1.00mm

*Custom Order, Contact LED Smart for details

DESCRIPTION

The LED Mini Millennium Lighting (ML) series has been designed to work as a direct replacement for existing installations.

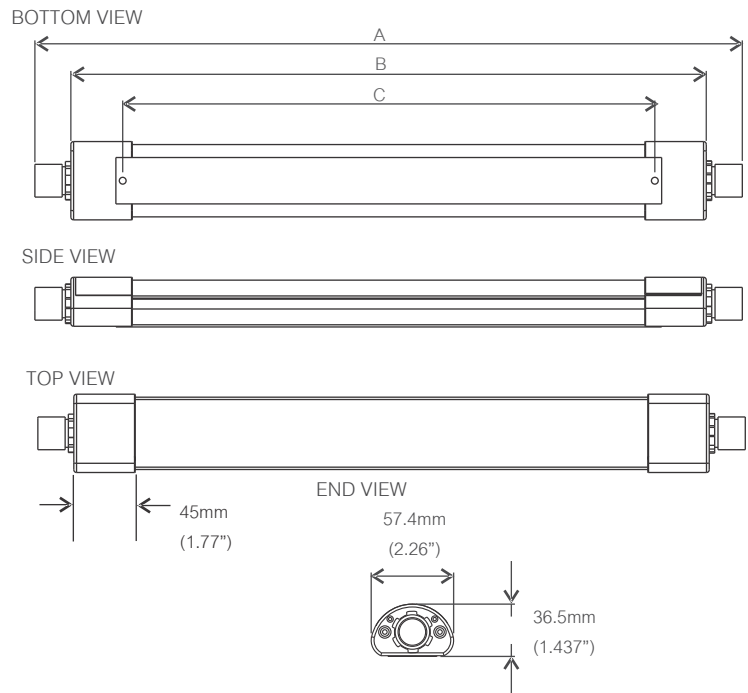
Acting as the lamp and fixture in one it replaces the fluorescent lamps that are typically used in interior telecommunication or solar powered lighting.

FEATURES

- Solid state lighting device, works well in all types of environments
- Instant on, no warm up time required
- Lasts 10 times longer than fluorescent
- No EMI emissions, to eliminate radio interference
- Designed to replace mini light fixtures
- Vibration proof features
- Lead Free Compliant, Mercury Free
- L80 @ 50,000 Hours

STANDARD FEATURES

- Cool white LEDs
- 48V Operating Voltage
- Junction End Cap
- Milk White Lens
- Flush mount



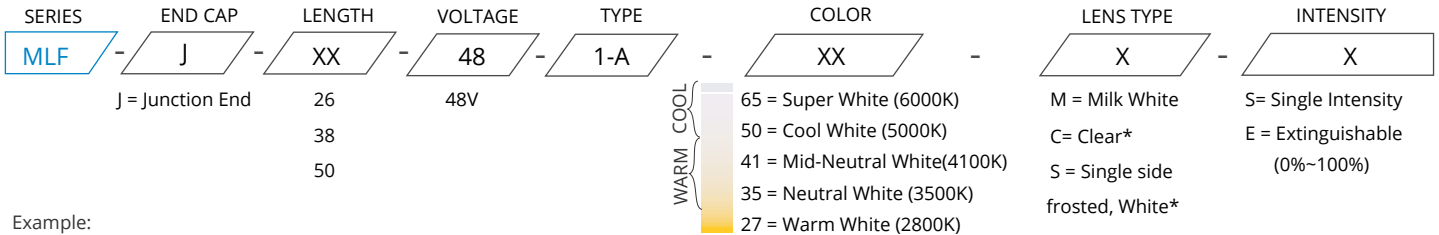
ELECTRICAL STATS & OPERATING FUNCTIONS

Type	Nominal Length (inch)	Lens Type	Input Voltage (Vdc)			Input Current (Amps @ 48V)	Luminous Intensity (Estimated Lumens)						Power Consumption (Watts)
			MIN	TYP	MAX		Typical CRI: 85						
							2700K	3500K	4100K	5000K	5700K	6000K	
MLF	26"	Clear	37	48	60	0.250	1310	1472	1513	1574	1523	1523	12
	38"					0.375	1964	2208	2269	2360	2284	2284	18
	50"					0.500	2619	2994	3025	3147	3046	3046	24
	26"	Single Frosted				0.250	1184	1331	1368	1423	1377	1377	12
	38"					0.375	1776	1997	2052	2134	2066	2066	18
	50"					0.500	2368	2662	2736	2846	2754	2754	24
	26"	Milk White				0.250	975	1096	1126	1172	1134	1134	12
	38"					0.375	1463	1644	1690	1758	1701	1701	18
	50"					0.500	1950	2192	2253	2344	2268	1512	24

Operating Temperature: - 30°C(-22°F) to 50°C (122°F)

Typical Color Temperature: 5000K

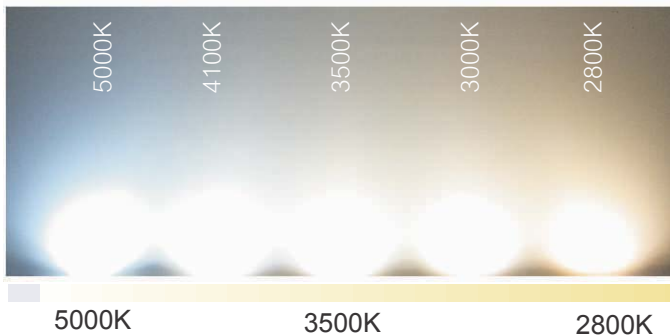
ORDERING INFORMATION



Example:

MLF-J-50-48-C-1-7-50-D-S = Mini Light, F Type, Junction End Caps, 50", 48V, Cool White, Double Frosted Lens, Single Intensity

COLORS



WARRANTY

LED Smart Inc. (The Company) warrants the LED light tube against defects in material or workmanship for a period of three years from date of original purchase, and agrees to repair or, at the company's option, replace a defective product without charge for either replacement parts or labor during such time. For a complete warranty copy please contact LED Smart Inc.

WARNINGS & SAFETY

High power LEDs have a high intensity of light in a single point. Avoid looking directly at the source of light for any prolonged time as it could cause retinal damage. This light source should be shielded with the a lens as provided by LED Smart Inc. The removal of the lens would void all warranties and liability from the manufacturer and distributor of this product.

LED Smart Inc. works continually to improve our products, we reserve the right to change or modify the designs or specifications of this product at any time without prior notice. All rights reserved. This product is under a patent and patent pending protection.