

LED COACH LIGHTING FLV- AUTOMOTIVE SERIES



OPTIONAL FEATURES

- Other lengths upon special request
- Colors: Super White, Warm White, Neutral White, Mid White
- Other colors upon request
- Operational voltages for special applications

NOTES & PATENT INFORMATION

US Patent #7,307,391 8,115,411 8,791,650
 9,179,513
 Canada Patent #2,651,224 2,555,065 2,831,641
 International Patents Pending
 For complete and up to date patent information see
 our website

DESCRIPTION

The automotive T5 LED light tubes are a replacement for the traditional fluorescent light tubes that are used in many coaches and transportation applications today.

Saving approximately 50% of energy in comparison with a traditional T5 fluorescent. There is also the additional savings in regards to the replacement and maintenance of the fluorescent tubes and ballasts, because LEDs require little to no maintenance and no ballasts.

The additional advantages of the T5 LED tubes is that they have less heat, low EMI, and no UV.

The design of the T5 light tubes are designed so as to have a very light output while maintaining a very bright light output.

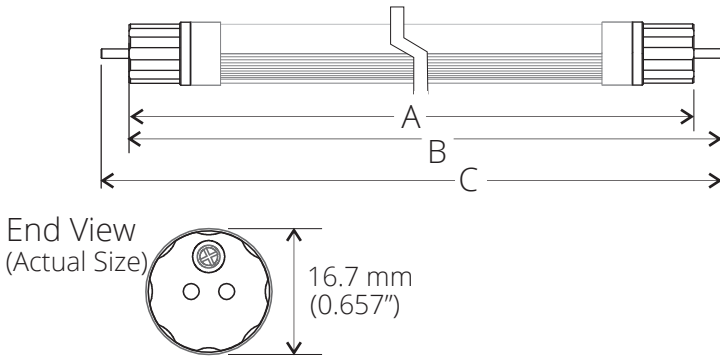
FEATURES

- Solid state lighting device, works well in harsh environments of hot or cold temperatures
- Instant on, no warm up time
- Lasts at least 5 times longer than fluorescent
- Low EMI emissions, to eliminate radio interference
- Design to replace conventional fluorescent lamps
- Vibration proof features
- Lead Free Compliant, Mercury Free
- No ballast required

STANDARD FEATURES

- 24", 36", 48" and 60" lengths
- Cool White LEDs
- 24V Operating Voltage
- Milk White or Clear Lens
- Mini Bi-Pin (G5), Instant start connection type
- T5 Fluorescent replacement (Fits T5/T6 size)

DIMENSIONS



Nominal Length	A (End to End)				B (Pin to End)				C (Pin to Pin)			
	INCH		MM		INCH		MM		INCH		MM	
	MIN	MAX	MIN	MAX	MIN	MAX	MIN	MAX	MIN	MAX	MIN	MAX
12"	-	11.3465	-	288.2	11.5276	11.6299	292.8	295.4	-	11.9094	-	302.5
21"	-	20.31	-	516	20.5354	20.63	521.6	524	-	20.91	-	531.1
24"	-	21.61	-	549	21.7992	21.89	553.7	556.1	-	22.17	-	563.2
36"	-	33.43	-	849	33.6102	33.70	853.7	856.1	-	33.98	-	863.2
48"	-	45.24	-	1149	45.4213	45.52	1153.7	1156.1	-	45.80	-	1163.2
60"	-	57.0472	-	1449	57.2283	57.3266	1453.6	1456.1	-	57.60	-	1463.1

ELECTRICAL STATS & OPERATING FUNCTIONS

Nominal Length (inch)	Lens Type	LED TYPE	Input Voltage (DC Volts)			Input Current (Amp)			Luminous Intensity (Lumens)		Power Consumption (Watts)	
			MIN	TYP	MAX	MIN	TYP#	MAX	COOL* 6500K-5000K	WARM** 4100K-2800K	TYP	
12	CLEAR	0-9	20	24	32	0.13	0.17	0.20	369	274	4	
21						0.25	0.33	0.40	738	548	8	
24						0.25	0.33	0.40	738	548	8	
36						0.38	0.50	0.60	1107	822	12	
48						0.50	0.67	0.80	1475	1096	16	
60						0.63	0.83	1.00	1844	1371	20	
12	MILK WHITE		0-9	20	24	32	0.13	0.17	0.20	275	204	4
21							0.25	0.33	0.40	549	408	8
24							0.25	0.33	0.40	549	408	8
36							0.38	0.50	0.60	824	612	12
48							0.50	0.67	0.80	1099	816	16
60							0.63	0.83	1.00	1373	1021	20

ORDERING INFORMATION

SERIES	PIN TYPE	LENGTH	VOLTAGE	LED TYPE	WATTAGE	COLOR	LENS TYPE	INTENSITY
FLV	G	XX	24	0-9	XX	X	X	X
	G5 End Cap	12 21 24 36 48 60	24VDC	SEE CHART ABOVE		65 = Super White (6600K) 50 = Cool White (5000K) 41 = Mid-Neutral White(4100K) 35 = Neutral White (3500K) 30 = Mid-White (3000K) 28 = Warm White (2800K)	C = Clear, Ribbed M = Milk White*	S= SingleIntensity

*Contact factory for further details.

LED Smart Inc. works continually to improve our products, we reserve the right to change or modify the designs or specifications of this product at any time without prior notice. All rights reserved. This product is under a patent and patent pending protection.