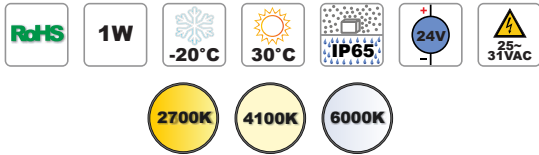


LED BUS LIGHTING MR16



DESCRIPTION

LED MR16 lamp, for direct replacement to any type of application. Available in various voltage types and colors to best match your project requirements.

Specially produced for outdoor use, and high vibration environments. This MR16 is splash proof and tolerant of high vibration applications.

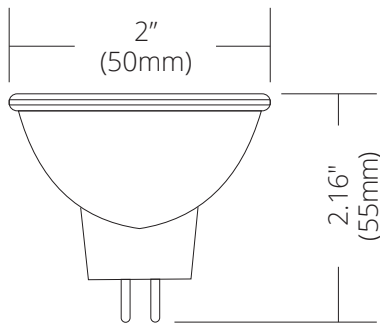
NOTES & PATENT INFORMATION

US Patent #7,307,391 8,115,411 8,791,650
9,179,513

Canada Patent #2,651,224 2,555,065 2,831,641
International Patents Pending

For complete and up to date patent information see our website

DIMENSIONS



ELECTRICAL STATS

Operating Voltage	8-30VDC		28VAC (25-31VAC)			
Wattage	2W					
LED Color (CCT)	2700K	4100K	6000K	2700K	4100K	6000K
Light Output	160LM	160LM	160LM	160LM	160LM	160LM

ORDERING INFORMATION

