

LED RAIL LIGHTING

LB-3W LAMP

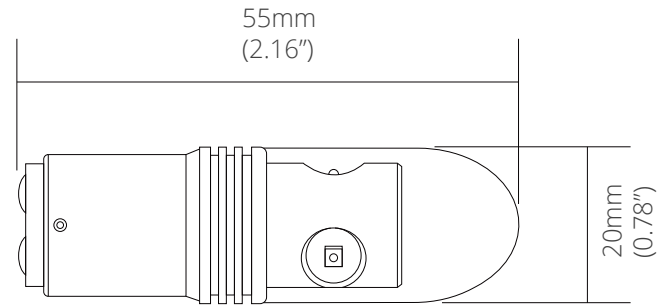


DESCRIPTION

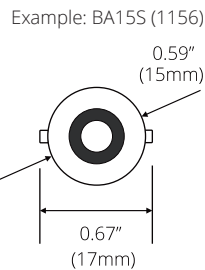
The solid state LED Lamp works well in harsh environments.

The long-life of LEDs makes this product reliable for usage inside or outside of bus or rail vehicles.

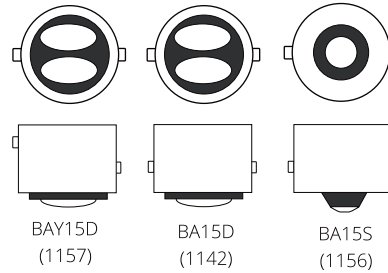
Available in various colors of white, suitable for all applications. LEDs will have no uv light output so the lamps will not degrade any light fixtures or interior finishes.



DIMENSIONS



BASE TYPES



ELECTRICAL STATS

Nominal Voltage	12VDC	24VDC	37.5VDC	72VDC	28VAC	120VAC
Operating Voltage	10-30VDC	10-30VDC	23-43VDC	50-90VDC	10-28VAC	100-140VAC
Operating temperature	-22°F~122°F (-30°C~50°C)					
Wattage	2.5W					
LED Color (CCT)	3000K	6500K	3000K	6500K	3000K	6500K
Light Output	160LM	160LM	160LM	160LM	160LM	160LM

ORDERING INFORMATION

