

## LED RAIL LIGHTING LED READING LIGHT

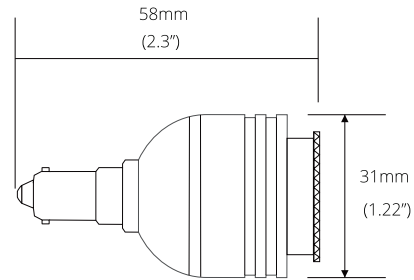


## DESCRIPTION

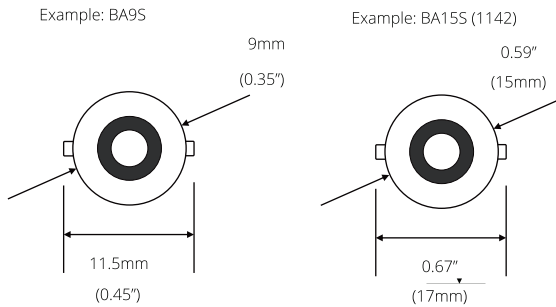
The long-life of LED's make this product reliable for usage inside or outside of bus and rail vehicles. Highly focused light output ensures that the light is directed onto the user, with little stray light leaking onto fellow passengers.

LED's will have no UV output so the lamps will not fade light fixtures or interior fabrics and finishings. The unique body shape allows for easy installation, and superior heat dissipation for extended life.

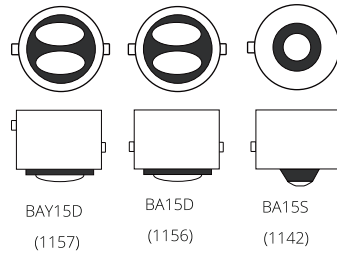
The LED Reading Light uses up to 90% less energy than the original halogen lamps and delivers an 85% longer life.



## DIMENSIONS



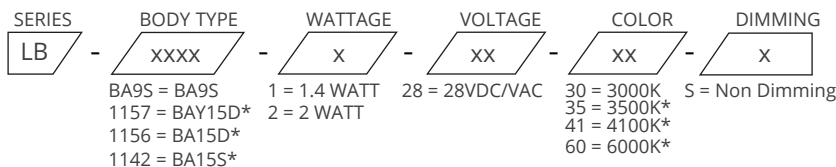
### BASE TYPES



## ELECTRICAL STATS

Nominal Voltage	24V	28V	24V	28V
Operating Voltage	19 ~ 33V	19 ~ 33V	19 ~ 33V	19 ~ 33V
Operating Temperature	-22F ~ 122F (-30C ~ 50C)		-22F ~ 122F (-30C ~ 50C)	
Wattage	1.4W	1.4W	2W	2W
LED Color (CCT)	3500K	3500K	3500K	3500K
Light Output	85.76 LM	86.61 LM	110.16 LM	113.95 LM

## ORDERING INFORMATON



\*Special order