

LED BUS LIGHTING MLJ SERIES 24 VOLT



NOTES & PATENT INFORMATION

US Patent #7,307,391 8,115,411 8,791,650
9,179,513
Canada Patent #2,651,224 2,555,065 2,831,641
International Patents Pending
For complete and up to date patent information see
our website

DESCRIPTION

The LED mini-light series is a low voltage, low profile enclosed light. It has been designed to be a direct and cost-effective replacement for fluorescent fixtures in a variety of applications. The MLJ series is designed to be a fixture and light all in one.

An excellent fixture to be installed in mini-buses, articulated sections of extended buses, coaches, or any other place where an all-in-one fixture may be easier to install.

FEATURES

- Solid state lighting device, works well in harsh environments of hot or cold temperatures
- Instant on, no warm up time
- Lasts at least 8 times longer than fluorescent
- No EMI emissions, to eliminate radio interference
- Design to replace mini light fixtures
- Lead Free Compliant, Mercury Free
- Vibration proof features
- Lead Free Compliant, Mercury Free

STANDARD FEATURES

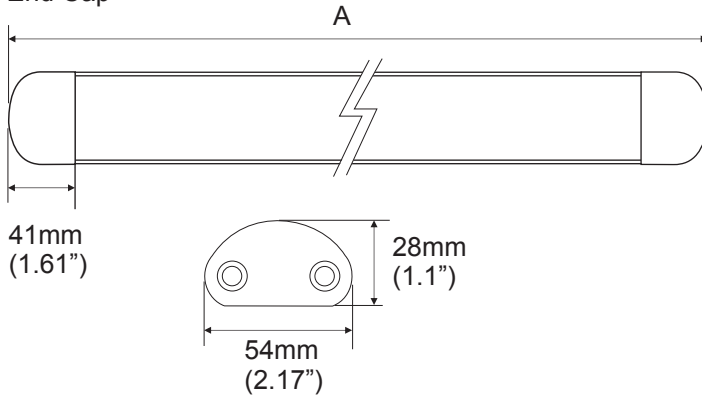
- Cool White LEDs
- 12VDC Operating Voltage
- Rounded Lens

OPTIONAL FEATURES

- Lengths of 12" increments for 12VDC
- Colors: Super, Cool, Neutral, Mid-Neutral, Warm White (Blue, Green, Red, Amber*)
- 12VDC (See data sheet for 12 VDC)

DIMENSIONS

Rounded End Cap



Nominal Length	A		Finished Weight	
	mm	inch	g	lbs
14"	376	14.8	228	0.502
26"	680	26.8	428	0.944
38"	985	38.8	629	1.387
50"	1290	50.8	829	1.828
62"	1595	62.8	1030	2.271

ELECTRICAL STATS & OPERATING FUNCTIONS

Type	Nominal Length (inch)	Lens Type	PART # CODE	Input Voltage (DC Volts)			Input Current (Amp)			Luminous Intensity (Lumens)					Power Consumption (Watts)
				MIN	TYP	MAX	MIN	TYP#	MAX	COOL WHITE		WARM WHITE			TYP
										6500K	5000K	4100K	3500K	2800K	
MLJ	14	CLEAR	0-9	22	24	26	0.19	0.21	0.23	475	475	475	439	396	5
	26						0.38	0.42	0.45	951	951	951	879	791	10
	38						0.58	0.63	0.68	1426	1426	1426	1318	1187	15
	50						0.77	0.83	0.91	1902	1902	1902	1758	1582	20
	62						0.96	1.04	1.14	2377	2377	2377	2197	1978	25
	14	SINGLE FROSTED					0.19	0.21	0.23	430	430	430	397	358	5
	26						0.38	0.42	0.45	860	860	860	795	715	10
	38						0.58	0.63	0.68	1290	1290	1290	1192	1073	15
	50						0.77	0.83	0.91	1720	1720	1720	1590	1431	20
	62						0.96	1.04	1.14	2149	2149	2149	1987	1788	25
	14	MILK WHITE					0.19	0.21	0.23	354	354	354	327	295	5
	26						0.38	0.42	0.45	708	708	708	655	589	10
	38						0.58	0.63	0.68	1062	1062	1062	982	884	15
	50						0.77	0.83	0.91	1416	1416	1416	1309	1178	20
	62						0.96	1.04	1.14	1770	1770	1770	1636	1473	25

ORDERING INFORMATION

SERIES	END CAP	LENGTH	VOL TAGE	TYPE	WATTAGE	COLOR	LENS	INTENSITY
MLJ	R	XX	24	X-X	XX	X	X	X
		14 26 38 50 62	24 VDC	SEE CHART ABOVE		65 = 6500K 50 = 5000K 41 = 4100K 35 = 3500K 28 = 2800K	M = Milk White	S= Single Intensity D = Dual Intensity

* Custom order item, contact LED Smart Inc. for more details.

LED Smart Inc. works continually to improve our products, we reserve the right to change or modify the designs or specifications of this product at any time without prior notice. All rights reserved. This product is under a patent and patent pending protection.