

LED RAIL LIGHTING

RECESSED CEILING LIGHT - 72VDC



FEATURES & ADVANTAGES

The LED Recessed Ceiling Light has been designed to fit into the standard vestibule fixture space. With a low profile body the fixture can be installed into the existing space with ease. These fixtures are designed with reduced power draw to save energy. The long life of an LED also reduces the maintenance in comparison with a traditional incandescent or CFL system.

The full aluminum body allows for excellent heat dissipation, no corrosion and pleasing appearance to coordinate with all sorts of interior finishes.

Variable voltage circuitry provides consistent illumination and circuit protection from 40V~90VDC, even under voltage fluctuations. Superior LED technology provides outstanding light intensity with a power consumption of 18W.

NOTES & PATENT INFORMATION

US Patent #7,307,391 8,115,411 8,791,650
9,179,513

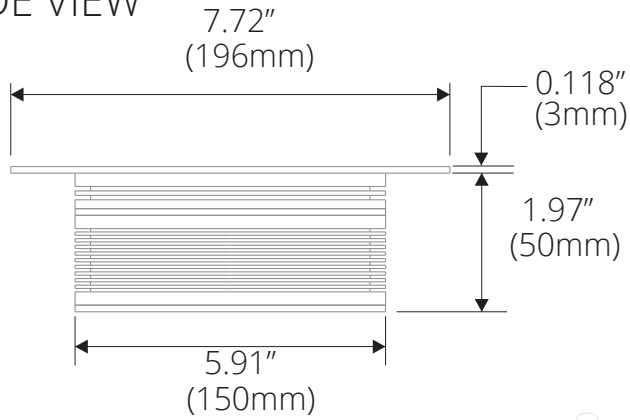
Canada Patent #2,651,224 2,555,065 2,831,641

International Patents Pending

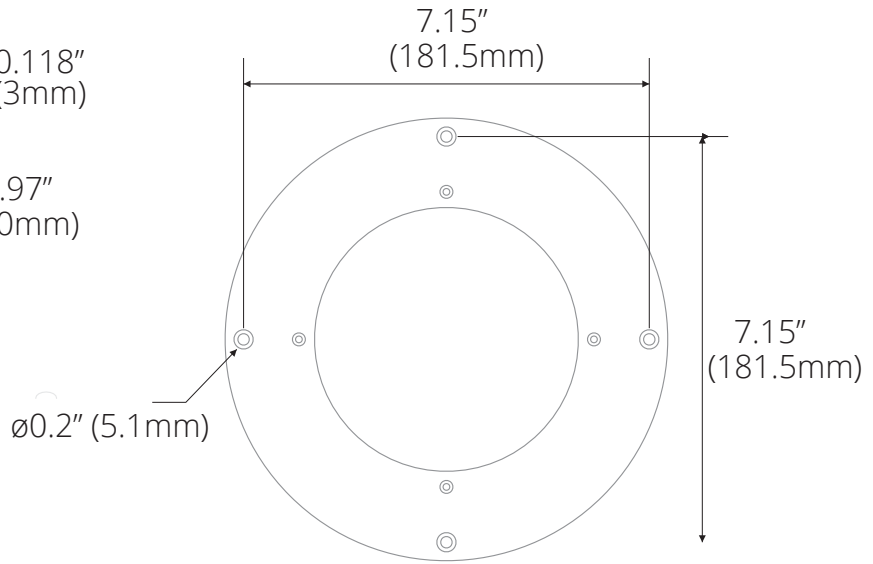
For complete and up to date patent information see our website

DIMENSIONS

SIDE VIEW



TOP VIEW



ELECTRICAL STATS & OPERATING FUNCTIONS

Series	Input Voltage (DC Volts)			Input Current (Amps)	Luminous Intensity (Estimated Lumens)				Power Consumption (Watts)	Finished Weight (Estimated)	
	MIN	TYP	MAX		TYP	5000K	4100K	3500K		2800K	TYP
RCL-E	40	72	90	0.25	1778	1673	1611	1433	18	1.5	3.30

ORDERING INFORMATION

