

LED RAIL LIGHTING

RLP SERIES - 120VAC



NOTES & PATENT INFORMATION

US Patent #7,307,391 8,115,411 8,791,650
9,179,513
Canada Patent #2,651,224 2,555,065 2,831,641
International Patents Pending
For complete and up to date patent information see
our website

OPTIONAL FEATURES

- 15", 18", 24", 36", 60" lengths
- Colors: Super Cool, Warm, Neutral White, Amber*, Red*, Green* and Blue*
- Operational voltages for special applications*
- Clear Lenses
- Rotatable end cap (G13 type only)

DESCRIPTION

The LED Lighting tube has been designed to work with conventional fluorescent fixtures. To replace the short lived fluorescent lamps that are typically used in interior lighting. The LED Lighting tube can be used to retrofit existing fluorescent installations in all types of applications. The internal driver operates without the need of a ballast.

FEATURES

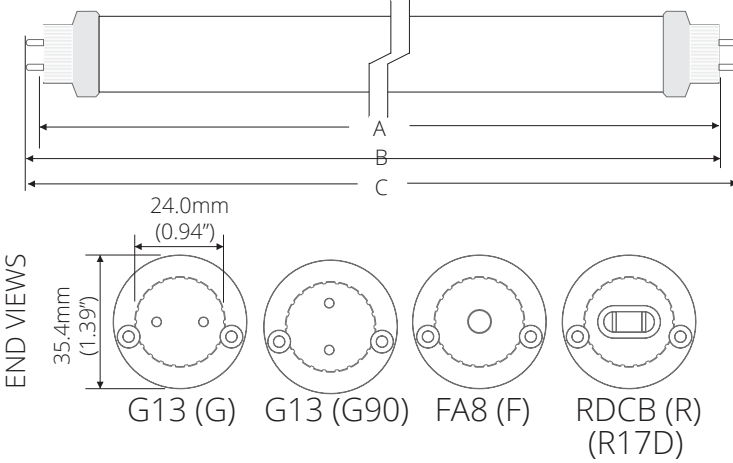
- Solid state lighting device, works well in harsh environments of hot or cold temperatures
- Instant on, no warm up time
- Lasts at least 5 times longer than fluorescent
- Low EMI emissions, to eliminate radio interference
- Design to replace conventional fluorescent lamps
- Vibration proof features
- Lead Free Compliant, Mercury Free

STANDARD FEATURES

- 48" length
- Cool White LEDs
- 100VAC ~ 277VAC Operating Voltage
- Milk White Lens
- Bi-Pin, Instant start connection type
- Standard T8 Fluorescent replacement

DIMENSIONS

T10 DIAMETER (Shown with G13, see chart for FA8 or RDCB)

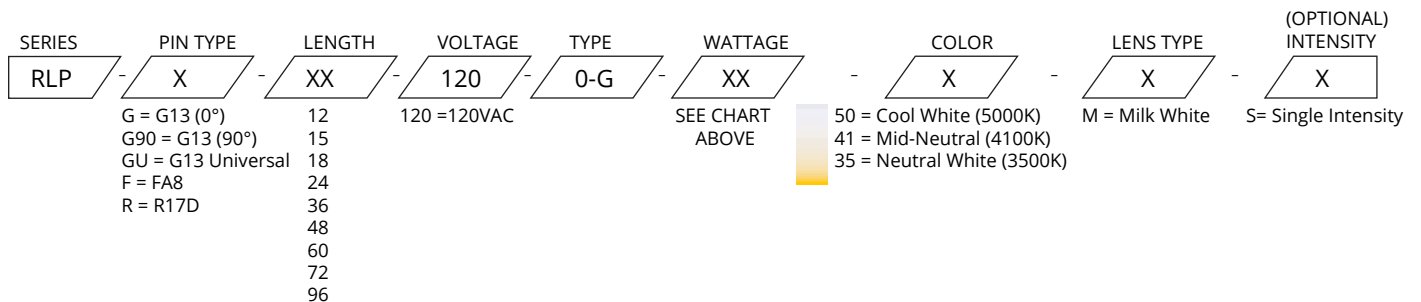


Length	A		B				C				
	Inch	mm	Inch		mm		Inch		mm		
	MAX		MIN	MAX	MIN	MAX	MIN	MAX	MIN	MAX	
G13	15	14.22	361.2	14.67	14.78	372.6	375.4	14.4	14.5	365.8	368.3
	18	17.22	437.4	17.67	17.78	448.8	451.8	17.4	17.5	442	444.5
	24	23.22	539.8	23.67	23.78	601.2	604.0	23.40	23.50	594.4	596.9
	36	35.22	694.6	35.67	35.78	906.0	908.60	35.40	35.50	899.2	901.7
	48	47.22	1199.4	47.67	47.78	1210.9	1213.60	47.40	47.50	1204.0	1206.5
FA8/RDCB	60	59.05	1499.9	59.50	59.61	1511.3	1514.10	59.24	59.33	1504.7	1507.0
	24	21.18	538.0		21.825		554.4				
	36	33.18	842.8		33.825		859.2				
	48	45.18	1147.6		45.825		1164.0				
	60	57.18	1452.4		57.825		1468.6				
72	69.18	1757.2		69.825		1773.6					

ELECTRICAL STATS & OPERATING FUNCTIONS

Type	Nominal Length (inch)	Lens Type	PART # CODE	Input Voltage (DC Volts)	Input Current (Amp)			Luminous Intensity (Lumens)			Power Consumption (Watts)	CRI	
					TYP	MIN	TYP#	MAX	COOL	WARM WHITE			
									5000K	4100K			3500K
RLP	12	MILK WHITE	0-G	120	0.04	0.05	0.06	506	470	458	5		
	15				0.04	0.05	0.06	708	658	641	7		
	18				0.04	0.05	0.06	809	752	733	8		
	24				0.07	0.08	0.12	910	846	825	9		
	36				0.11	0.14	0.19	1517	1410	1374	15	85	
	48				0.13	0.16	0.23	1812	1692	1649	18		
	60				0.17	0.21	0.30	2326	2162	2107	23		
	72				0.20	0.25	0.35	2731	2538	2474	27		
	96				0.26	0.33	0.47	3641	3384	3299	36		

ORDERING INFORMATION



LED Smart Inc. works continually to improve our products, we reserve the right to change or modify the designs or specifications of this product at any time without prior notice. All rights reserved. This product is under a patent and patent pending protection.