

LED RAIL LIGHTING

PAR46 HEADLIGHT REPLACEMENT



ELECTRICAL STATS

NOMINAL VOLTAGE	37.5VDC
OPERATING VOLTAGE	19-45VDC
OPERATING TEMPERATURE	-4°F~122°F (-20°C~50°C)

LIGHT STATS

	20W	
LED COLOR (CCT)	3000K	4100K
LED OUTPUT (LUMENS)	1500	1500
CBCD	21300	21300

ORDERING INFORMATON

SERIES	TYPE	CONNECTION	VOLTAGE	WATTAGE	COLOR	ANGLE	LENS	SEAL**
LB	PARXX	XX	XX	XX	XX	XX	XX	X
	PAR46	2P = 2 PRONG 2S = 2 SCREW UN = UNIVERSAL	37.5 = 37.5VDC 72 = 72VDC	20 = 20W	30 = 3000K 41 = 4100K	8 = 8°	CF = CONVEX FROSTED	N = WITH NEOPRENE SEAL X = WITHOUT NEOPRENE SEAL

To order neoprene seal separately
 **LB-PAR46-RING = PAR46, NEOPRENE SEAL.

DESCRIPTION

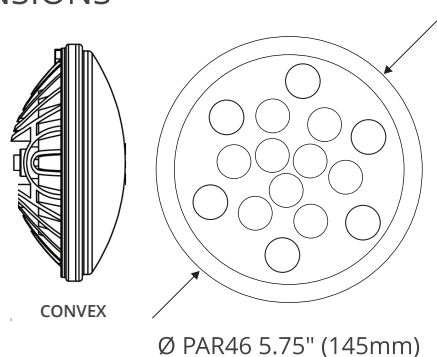
The innovative LED SMART PAR 46 solid-state L.E.D headlight is manufactured with a single piece aluminum heat sink body and designed to operate in the harshest environments.

The high-impact tempered glass lens allows an even transfer of heat for ice and snowmelt during sub-zero temperatures. This ensures a crisp, clear, glare-free lens performance and illumination.

The LED SMART PAR 46 operates at 20 watts with a promised life of 50,000 hours, compared to traditional PAR 46 tungsten halogen incandescent headlamps that operates at 60 watts with a promised life of 800 hours. The LED SMART headlight delivers an 85% longer life!

Our premium PAR 46 headlight bulb is energy efficient, lead-free, eco-friendly, and guaranteed with a 5-year warranty.

DIMENSIONS



CONNECTOR TYPES

