

LED RAIL LIGHTING

RLP SERIES - 110VDC



NOTES & PATENT INFORMATION

US Patent #7,307,391 8,115,411 8,791,650
9,179,513

Canada Patent #2,651,224 2,555,065 2,831,641
International Patents Pending

For complete and up to date patent information see
our website

OPTIONAL FEATURES

- Colors: Warm White, Neautral White (other colors upon request)
- Operational voltages for special applications

DESCRIPTION

These RLP Series lamps are designed for use in the low profile train lighting fixtures. These lamps tolerate voltage spreads characteristic of light rail train car systems without fluctuating in light intensity.

The LED Lighting tube can be used in new or to retrofit fluorescent installations.

The Premium lighting system offers customers the best in LED technology.

The patented RLP light tubes use the latest high power premium LEDs while providing a more superior, reliable and efficient light source than conventional fluorescent systems.

FEATURES

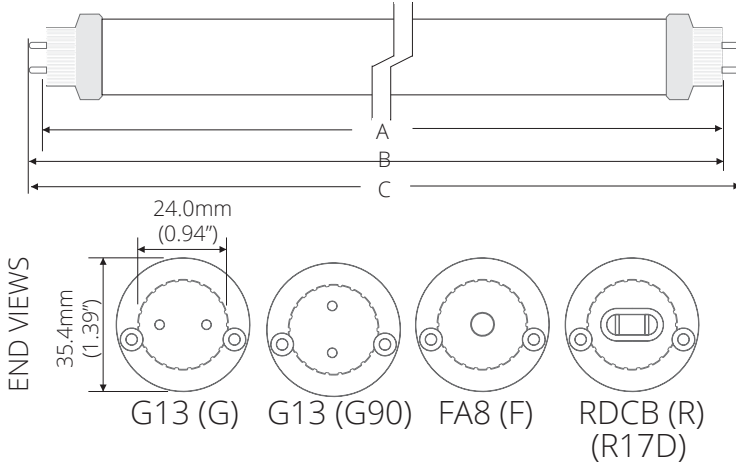
- Solid state lighting device, works well in harsh environments of hot or cold temperatures
- Instant on, no warm up time
- Lasts at least 5 times longer than fluorescent
- Low EMI emissions, to eliminate radio interference
- Design to replace conventional fluorescent lamps
- Vibration proof features
- Lead Free Compliant, Mercury Free

STANDARD FEATURES

- 24", 36", 48" and 60" lengths
- Cool White LEDs
- 110V Operating Voltage
- Milk White or Clear lens
- Bi-Pin (G13), Instant start connection type
- T10 Fluorescent replacement (fits T8 size)

DIMENSIONS

T10 DIAMETER (Shown with G13, see chart for FA8 or RDCB)

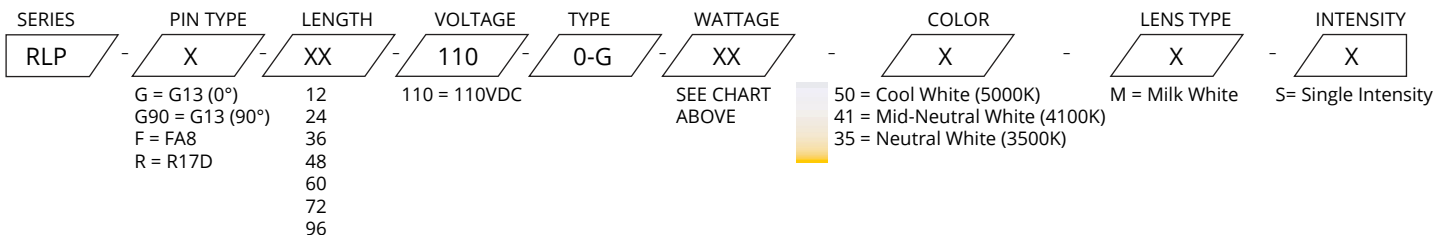


Length	A		B				C				
	Inch	mm	Inch		mm		Inch		mm		
	MAX		MIN	MAX	MIN	MAX	MIN	MAX	MIN	MAX	
G13	24	23.22	589.8	23.67	23.78	601.2	604.0	23.40	23.50	594.4	596.9
	36	35.22	894.6	35.67	35.78	906.0	908.50	35.40	35.50	899.2	901.7
	48	47.22	1199.4	47.67	47.78	1210.3	1213.60	47.40	47.50	1204.0	1206.5
	60	59.05	1499.9	59.50	59.61	1511.3	1514.10	59.24	59.33	1504.7	1507.0
FA8/RDCB	24	21.13	538.0							21.825	554.4
	36	33.18	842.8							33.825	859.2
	48	45.18	1147.6							45.825	1164.0
	60	57.18	1452.4							57.825	1463.8
72	69.18	1757.2							69.825	1773.8	

ELECTRICAL STATS & OPERATING FUNCTIONS

Type	Nominal Length (inch)	Lens Type	PART # CODE	Input Voltage (DC Volts)**	Input Current (Amp)	Luminous Intensity (Lumens)			Power Consumption (Watts)	CRI
						COOL	WARM WHITE			
							5000K	4100K		
TYP	TYP#					TYP	TYP			
RLP	12	MILK WHITE	0-G	110	0.05	461	443	431	5	85
	24				0.08	830	798	776	9	
	36				0.14	1383	1330	1294	15	
	48				0.16	1660	1596	1553	17	
	60				0.21	2121	2039	1984	23	
	72				0.25	2490	2394	2329	27	
	96				0.33	3320	3192	3106	36	

ORDERING INFORMATION



LED Smart Inc. works continually to improve our products, we reserve the right to change or modify the designs or specifications of this product at any time without prior notice. All rights reserved. This product is under a patent and patent pending protection.